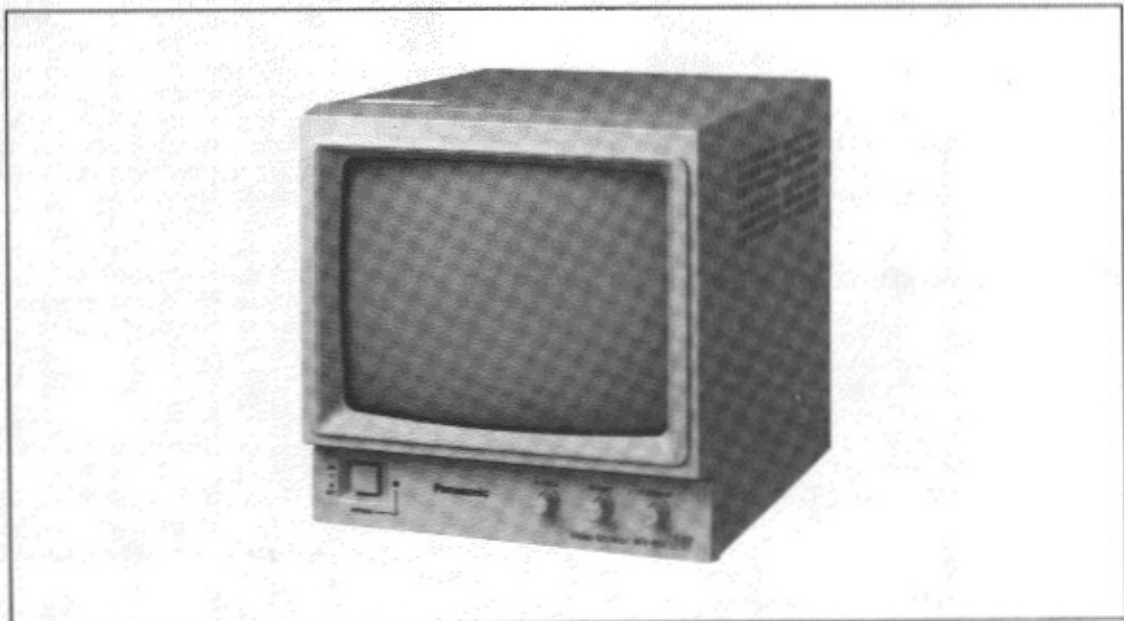


Operating Instructions

Video Monitor
WV-BM900




Panasonic®

Before attempting to connect or operate this product, please read these instructions completely


CONTENTS

PREFACE	1
FEATURES	1
PRECAUTIONS	1
MAJOR OPERATING CONTROLS AND THEIR FUNCTIONS	1
CABLE INFORMATIONS	2
CONNECTION	3
INSTALLATION	3
SPECIFICATIONS	4
STANDARD ACCESSORY	4
OPTIONAL ACCESSORY	4



CAUTION

RISK OF ELECTRIC SHOCK
DO NOT OPEN



CAUTION:
TO REDUCE THE RISK OF ELECTRIC SHOCK, DO NOT REMOVE COVER (OR BACK). NO USER SERVICEABLE PARTS INSIDE.
REFER SERVICING TO QUALIFIED SERVICE PERSONNEL.



SA 1965

The lightning flash with arrowhead symbol, within an equilateral triangle, is intended to alert the user to the presence of uninsulated "dangerous voltage" within the product's enclosure that may be of sufficient magnitude to constitute a risk of electric shock to persons.



SA 1966

The exclamation point within an equilateral triangle is intended to alert the user to the presence of important operating and maintenance (servicing) instructions in the literature accompanying the appliance.

For U.S.A

Warning:
This equipment generates and uses radio frequency energy and if not installed and used properly, i.e., in strict accordance with the instruction manual, may cause harmful interference to radio communications. It has been tested and found to comply with the limits for a Class A computing device pursuant to Subpart J of Part 15 of FCC Rules, which are designed to provide reasonable protection against such interference when operated in a commercial environment.

For CANADA

This digital apparatus does not exceed the Class A limits for radio noise emissions from digital apparatus set out in the Radio Interference Regulations of the Canadian Department of Communications.

The serial number of this product may be found on the bottom of the unit.
You should note the serial number of this unit in the space provided and retain this book as a permanent record of your purchase to aid identification in the event of theft.

Model No. _____

Serial No. _____

WARNING:
TO PREVENT FIRE OR SHOCK HAZARD, DO NOT EXPOSE THIS APPLIANCE TO RAIN OR MOISTURE.

PREFACE

The Panasonic's Video Monitor WV-BM900 produces sharp, black and white pictures with horizontal resolution of more than 750 lines at center. Front-mounted controls permit fast picture adjustment. Standard BNC-type input and output connectors enables.

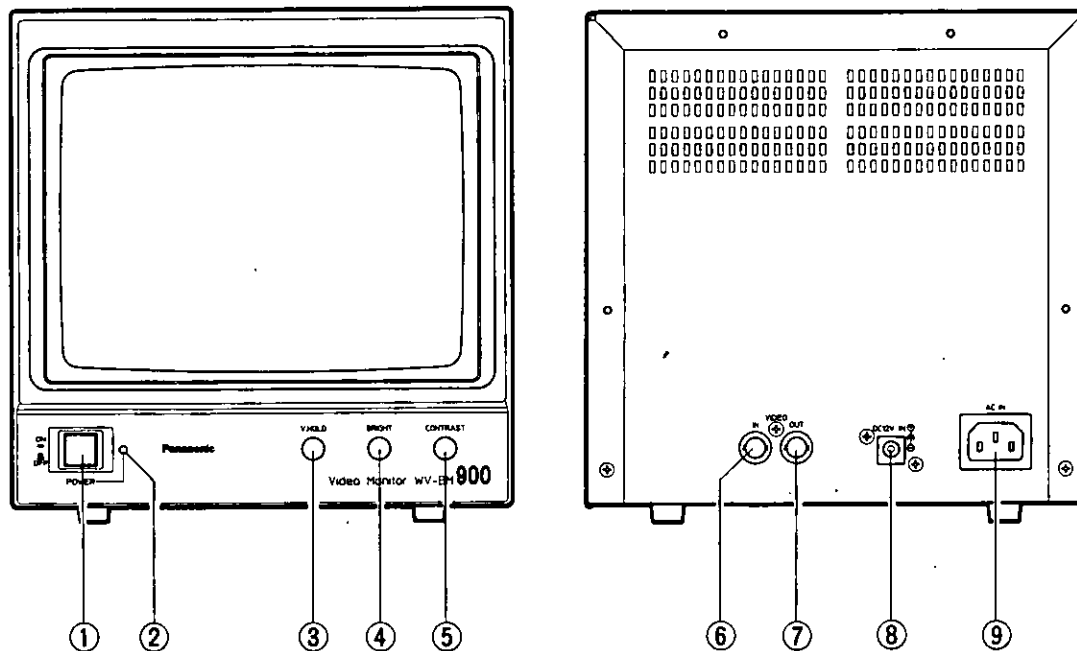
FEATURES

- 8-9/16" diagonal actual visual size
- Looping through BNC connectors for video input and output.
- Rack mounting using optional Rack Mount Kit WV-Q28.

PRECAUTIONS

- Do not block the ventilation slots.
- Do place the video monitor at least 2" (5cm) apart from the wall.
- Do not expose the monitor to water or moisture.
- Do not operate the monitor if it becomes wet.
- Do take immediate action if ever the monitor does become wet. Turn power off and refer servicing to qualified service personnel. Moisture can damage the monitor and also create the danger of electric shock.
- Do not drop metallic parts through slots. This action could permanently damage the monitor. Do turn power off immediately and refer servicing to qualified service personnel.
- Do not attempt to disassemble the monitor. To prevent electric shock, do not remove screws or cover. There are no user serviceable parts inside. Refer servicing to qualified service personnel.
- Do not use the monitor beyond its temperature, humidity or power source ratings.
 - a) Ambient temperature must not range beyond 14 °F – 122°F (-10°C - +50°C).
 - b) Avoid using the monitor when humidity is above 90%.
 - c) The input power must be 120V AC or 12V DC.

MAJOR OPERATING CONTROLS AND THEIR FUNCTIONS



1. Power On/Off Switch (POWER, ON/OFF)

This is a push-push type switch which turns the power of this monitor on and off.

Press once and the switch remains down (▲) for turning on the power of monitor.

Press again, the switch comes up (■) for turning off the power of the monitor.

Note:

When the DC power is supplied to this monitor, this switch is not functioned.

2. Power Indicator

By turning on the Power On/Off Switch (1), this indicator lights.

Note : When the DC power is supplied, this indicator lights without turning on the Power On/Off switch (1).

3. Vertical Hold Control (V-HOLD)

This control is used to lock in the picture vertically.

4. Bright Control (BRIGHT)

Turn this control clockwise to increase the picture brightness.

5. Contrast Control (CONTRAST)

Turn this control clockwise to increase the picture contrast.

6. Video Input Connector (VIDEO IN)

This connector accepts the input video signal.

7. Video Output Connector (VIDEO OUT)

The video input signal connected to the Video Input Connector (9) is looped through to this connector and terminated automatically.

8. DC Input Connector (DC 12V IN)

Be sure to use 10.8 - 16V at more than 2A.

Note :

Do not use this connector with AC Input Connector (9) simultaneously.

Caution :
To prevent fire or shock hazard, the UL listed wire VW-1, style 1007 should be used for the cable for DC 12V Input connector.

9. AC Input Connector (AC IN)

This connector is used to connect the AC Power Cord.

Note :

Do not use this connector with DC Input Connector (8) simultaneously.

CABLE INFORMATIONS

Power Cable

1. Keep the Power On/Off Switch (1) in the OFF position during installation.
2. Connect the Power Cord to a grounded electrical outlet.

Video Cable

1. Use the RG-59/U (3C-2V), RG-6/U (5C-2V), RG-11/U (7C-2V) or RG-15/U (10C-2V) coaxial cable.
2. Up to 10 monitors can be hooked up in this configuration before signal loss occurs. Total cable length should not exceed 500 feet (150m).

3. Wiring Precautions :

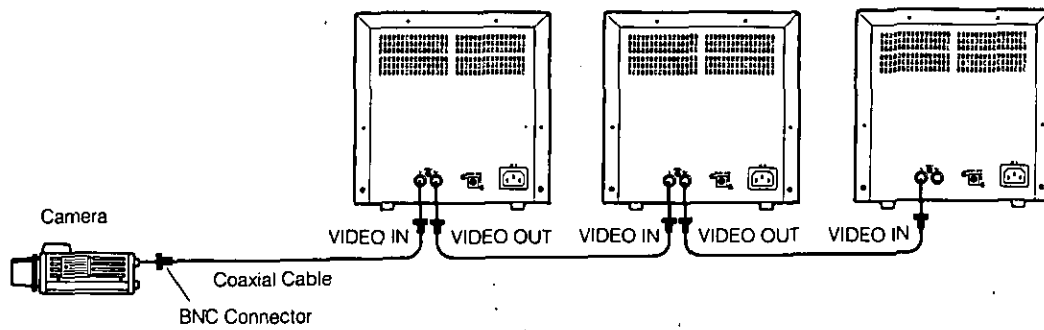
- Do not bend coaxial cable into a curve whose radius is smaller than 10 times of its diameter :
- Never crush or pinch the cable.

All these will change the impedance of the cable and cause poor picture quality.

Recommended maximum cable length

Cable	RG-59/U (3C-2V)	RG-6/U (5C-2V)	RG-11/U (7C-2V)	RG-15/U (10C-2V)
Recommended maximum cable length	1650ft (500m)	2475ft (750m)	3300ft (1000m)	4125ft (1250m)

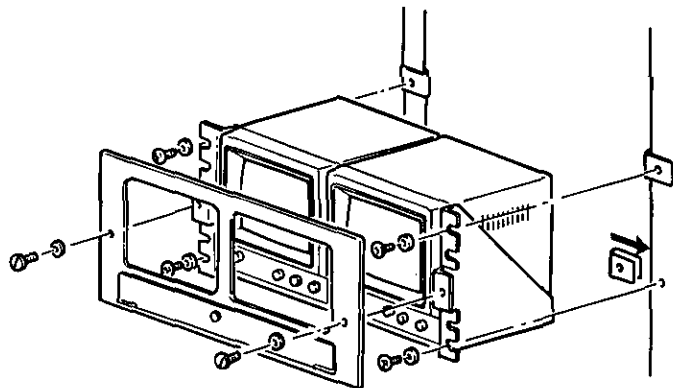
CONNECTION



INSTALLATION

Mounting into EIA Standard 19" Rack

Monitors can be mounted into the EIA 19" rack by using 19" rack mount kit WV-Q28 as shown in the following.



1. Remove four rubber feet by removing four rubber feet fixing screws on the bottom of the monitor.
2. Mount the monitor on the rack mount chassis with four screws (M3 x 6).
3. Remove blank panel when install two monitors.

Cautions :

- Do not use this monitor on the place affected by the vibration.
- When the Fan is used to keep the temperature in the rack within 50°C, it should be put apart from the monitor.

SPECIFICATIONS

Power Source :	120V AC, 60 Hz/12V DC 2A
Power Consumption :	Approx. 29W
Screen Size :	8-9/16" (217.4mm) (diagonal actual measured) 90° deflection
Video Input Impedance :	75-ohm or high impedance (Auto termination)
Video Input Level :	1.0Vp-p
Horizontal Resolution :	More than 750 lines (Horizontal at center)
Horizontal Scanning Frequency :	15.75kHz
Vertical Scanning Frequency :	60Hz
Sweep Linearity :	Horizontal : Less than 5% Vertical : Less than 5%
Ambient Operating Temperature:	14°F - 122°F (-10°C - +50°C)
Dimensions :	8-11/16" (W) x 8-15/16" (H) x 10-3/16" (D) (220 (W) x 227.5 (H) x 259 (D) mm)
Weight :	9.9 lbs. (4.5kg)

Weights and dimensions shown are approximate.
Specifications are subject to change without notice

STANDARD ACCESSORY

AC Power Cord 1 pc.

OPTIONAL ACCESSORY

Rack Mount Kit WV-Q28

1914

1915

1916

1917

1918

1919

1920

1921

1922

1923

1924

1925

1926

1927

1928

1929

1930

1931

1932

Panasonic

Broadcast & Television Systems Company

Division of Matsushita Electric Corporation of America

CLOSED CIRCUIT VIDEO EQUIPMENT DIVISION

Executive Office: One Panasonic Way, Secaucus, New Jersey 07094

Regional Offices:

Northeast: 43 Hartz Way, Secaucus, NJ 07094 (201) 348-7303

Southeast: 1854 Shackelford Court, Suite 115, Norcross, GA 30003 (404) 717-6835

Midwest: 1707 North Randall Road, Elgin, IL 60123 (708) 468-5200

Southwest: 4500 Amon Carter Blvd., Ft. Worth, TX 76155 (817) 685-1117

Western: 6550 Katella Ave., Cypress, CA 90630 (714) 373-7265

MATSUSHITA ELECTRIC OF CANADA LIMITED

5770 Ambler Drive, Mississauga, Ontario, L4W 2T3 Canada (416)624-5010

PANASONIC SALES COMPANY

DIVISION OF MATSUSHITA ELECTRIC OF PUERTO RICO, INC.

San Gabriel Industrial Park, 65th Infantry, Ave. KM. 9.5 Carolina, Puerto Rico 00630 (809)750-4300